



JF 92 Z6

Forage harvesters

Powerful, durable and affordable! !

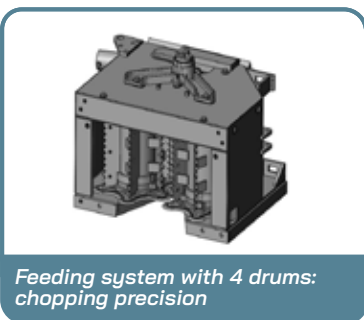
JF 92 Z6 is the solution to meet the needs of livestock farmers that seek simplicity and quality to produce silage with low investment. Its technology allows to harvest forage planted in rows such as maize, sorghum, and others, including tropical grasses that always demand a very resistant harvester.

FEATURES

- ✓ Proven in over 55 countries;
- ✓ Upgrade option for harvesting 2 rows of maize/sorghum at 70 cm spacing with the JF 1000AT header and also for broadcast grasses with the JF 1300 header;
- ✓ Robust transmission system along with a reliable design from the world-leading forage harvester manufacturer;
- ✓ Feeding system with 4 drums : chopping precision, better silage quality;
- ✓ Powerful rotor with "Z" technology blades: chops and blows simultaneously for higher harvesting speed;
- ✓ 8 chop sizes available of simple shifting: higher control for several crop and dry matter condition;
- ✓ Built-in sharpener: quicker daily maintenance.



At JF, we take your forage seriously! What about you?



Feeding system with 4 drums: chopping precision



8 chopping sizes: higher control



Header JF 1300AT

Optional item



Header JF 1300

Optional item

TECHNICAL SPECS

Capacity	up to 26 ton/h ²	Chop size	8 (from 5 up to 36mm)
Required power at PTO	from 45 up to 70 hp	Number of blades	6
Required rotation at PTO	540 RPM	Approximate weight	572 kg
Drive	tractor PTO	Linkage type	cat II
Transmission system	belt	Discharge spout	semi-hydraulic

1Productivity might vary and depends on the following factors: cut size; productivity of forage per hectare; tractor power; logistic capacity (wagons) for forage transportation. Before acquiring the equipment, please talk to your dealer about the size of your tractor tire.